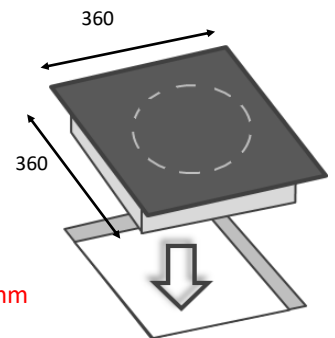
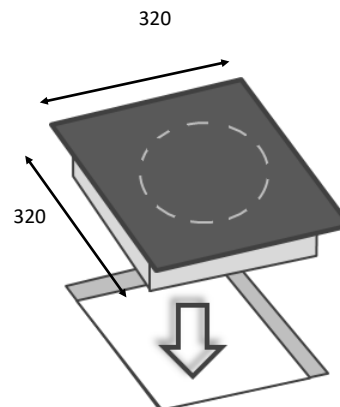


## TECHNICAL FEATURES

<b>External structure</b>	Stainless steel + vitroceramic glass
<b>Dimensions</b>	360 x 360 320 x 320
<b>Power</b>	4000W - 6000W
<b>Control panel</b>	<p><b>Knob control panel:</b> on/off + manual power setting, 360° knob, on/off led.                      Option: possibility to add a 2 digit display for power.</p> <p>Possibility to choose <b>capacitive touches control panel:</b> on/off, manual power setting with display. Possibility to add timer.</p>
<b>Amp</b>	6A per phase for 4000W 10A per phase for 6000W
<b>Power supply</b>	400V threephase (work between 320 and 450V / 40 and 70Hz).
<b>Weight</b>	10 kg / 22 lbs
<b>Standards</b>	Complies with European standards for safety of electrical appliances, for EMC, for Rohs standards.
<b>Options &amp; Details</b>	Compatible with TERA WATT & SICO-TRONIC energy optimizer. Designed and made in France.

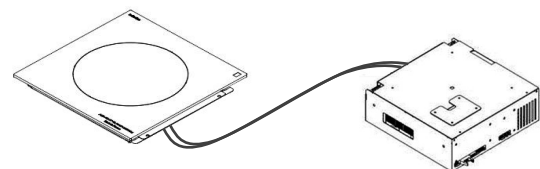


Cut out dimensions 366 x 366 mm



Cut out dimensions 326 x 326 mm

**Generators can be deported from the inductor**



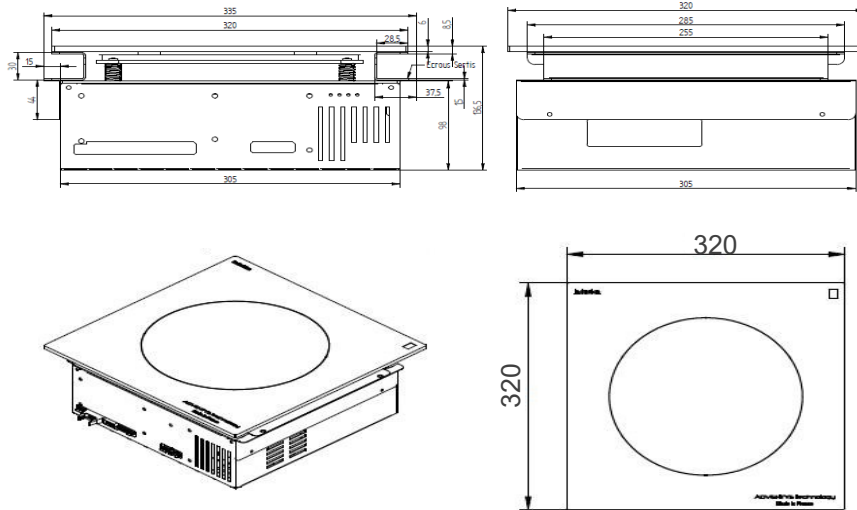
Generators can be deported : 1.50m / 3m / 5m

ADVENTYS  
 Route de Pagny - 21250 Seurre - France  
 www.adventys.com  
 sales@adventys.com  
 T: +33 3 80 20 46 15

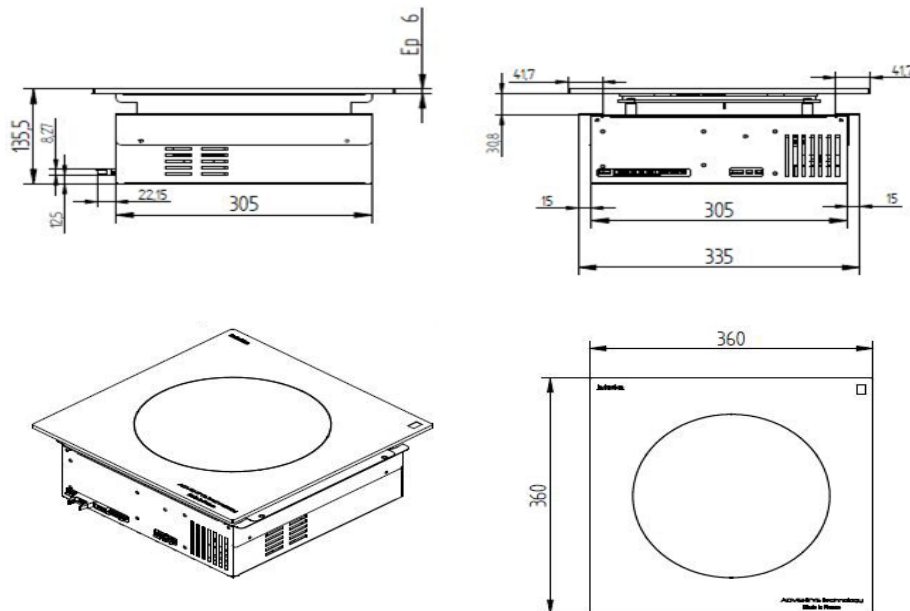
Important note

Adventys reserves the right to modify specifications without notice.

## Integrated generator version - 320 x 320 vitroceramic



## Integrated generator version - 360 x 360 vitroceramic

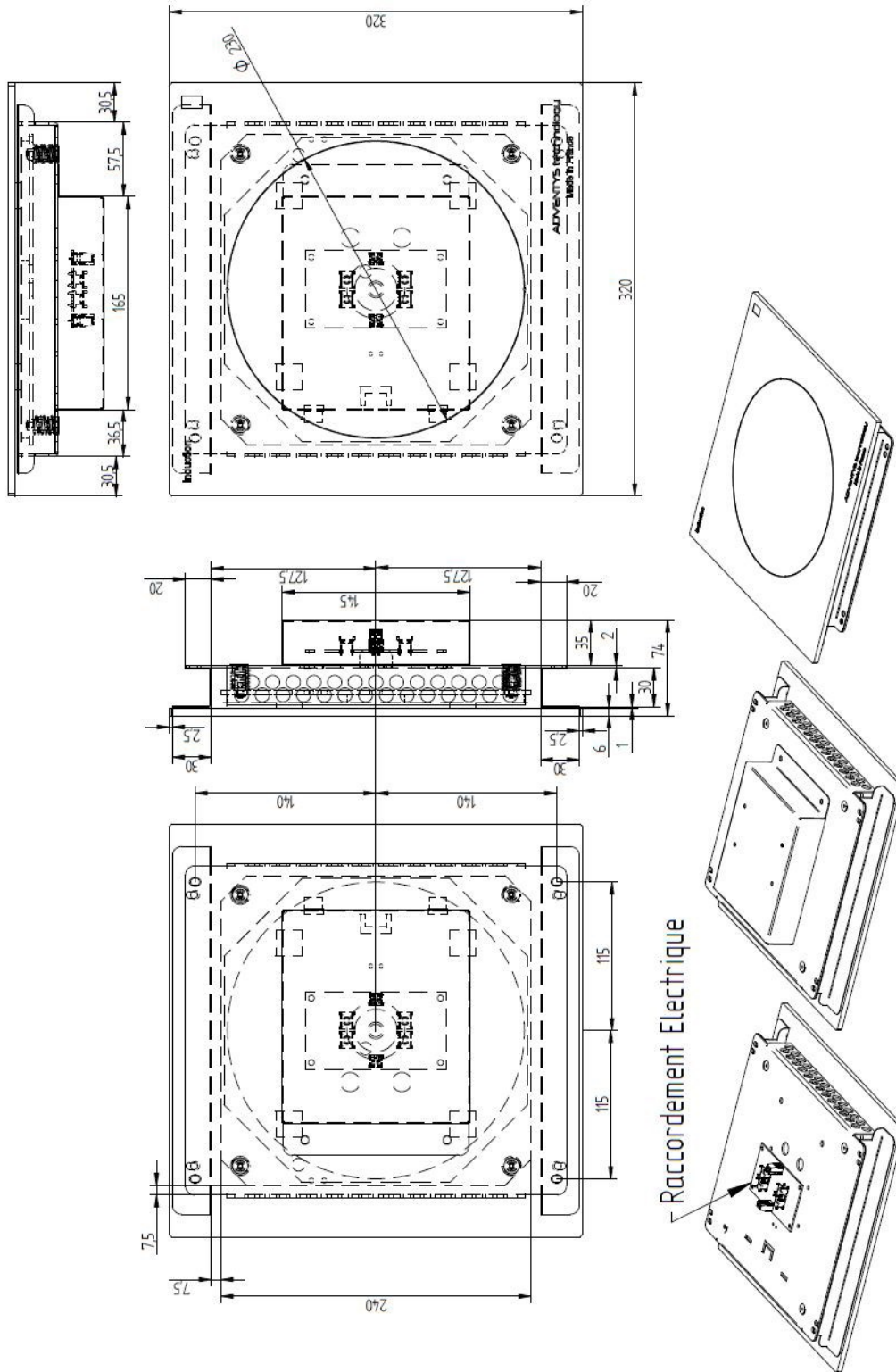


**ADVENTYS**  
 Route de Pagny - 21250 Seurre - France  
[www.adventys.com](http://www.adventys.com)  
[sales@adventys.com](mailto:sales@adventys.com)  
 T: +33 3 80 20 46 15

Important note

Adventys reserves the right to change specifications without notice.

Inductor + vitroceramic 320 x 320 mm (Deported generator version)

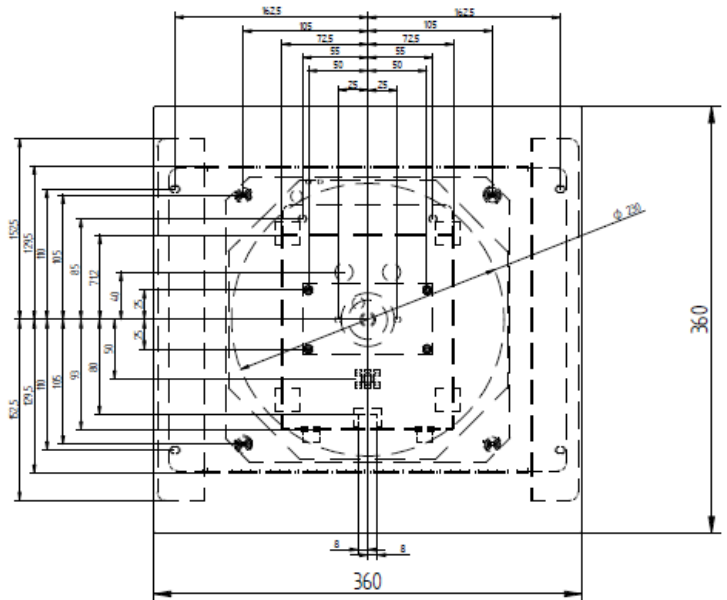
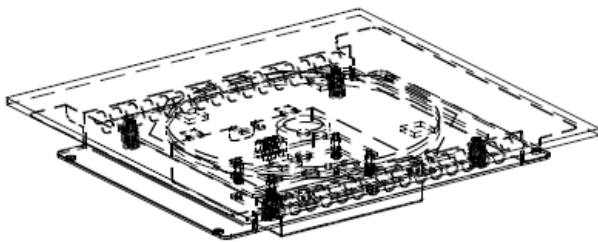
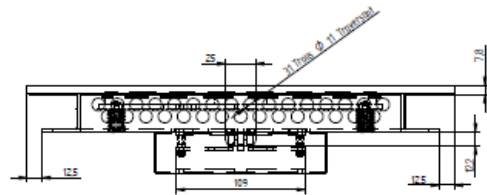
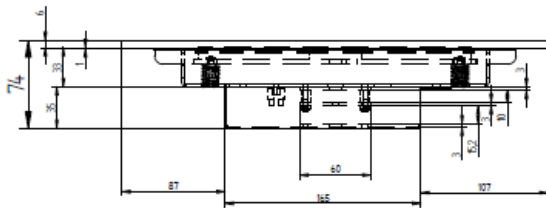
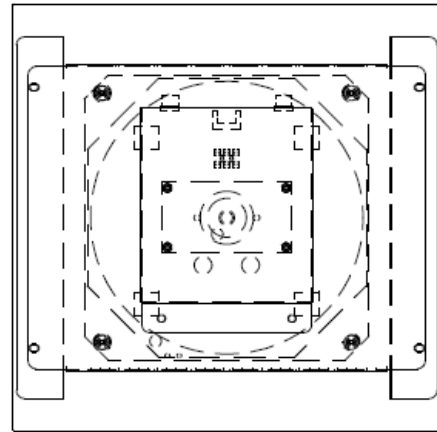
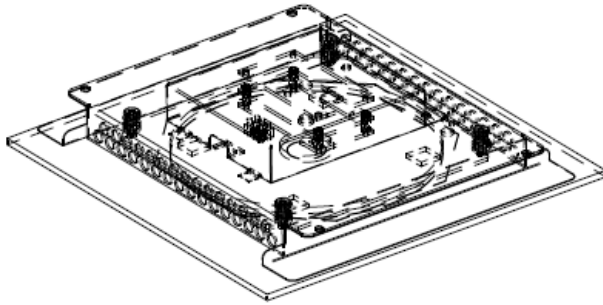


**ADVENTYS**  
 Route de Pagny - 21250 Seurre - France  
[www.adventys.com](http://www.adventys.com)  
[sales@adventys.com](mailto:sales@adventys.com)  
 T: +33 3 80 20 46 15

Important note

Adventys reserves the right to change specifications without notice.

Inductor + vitroceramic 360 x 360 mm (Deported generator version)

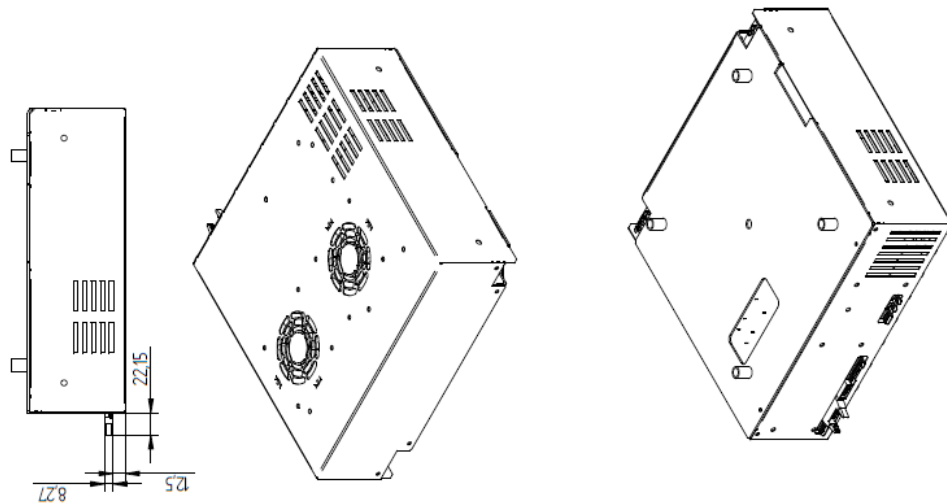
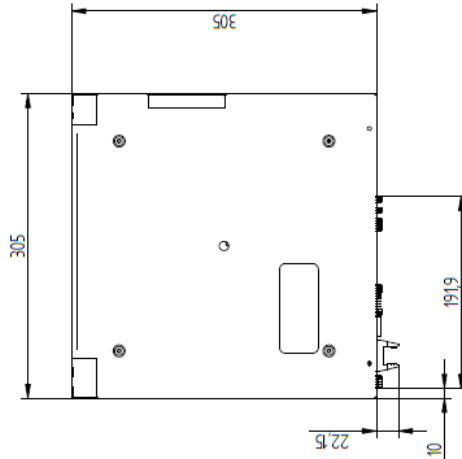
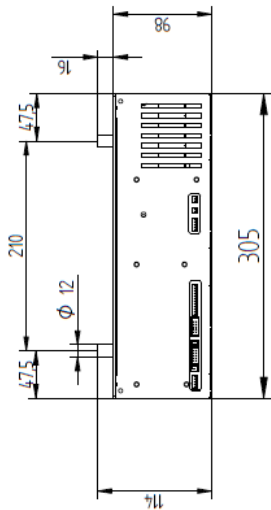
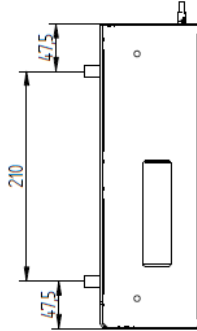


**ADVENTYS**  
 Route de Pagny - 21250 Seurre - France  
[www.adventys.com](http://www.adventys.com)  
[sales@adventys.com](mailto:sales@adventys.com)  
 T: +33 3 80 20 46 15

Important note

Adventys reserves the right to change specifications without notice.

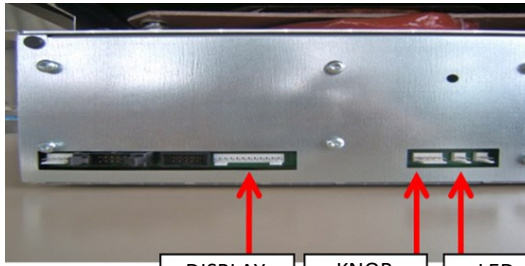
Deported generator version (generator plan)



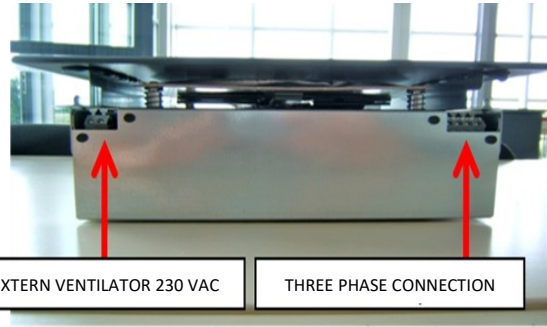
**ADVENTYS**  
 Route de Pagny - 21250 Seurre - France  
[www.adventys.com](http://www.adventys.com)  
[sales@adventys.com](mailto:sales@adventys.com)  
 T: +33 3 80 20 46 15

Important note

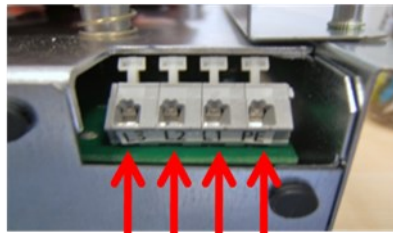
Adventys reserves the right to change specifications without notice.



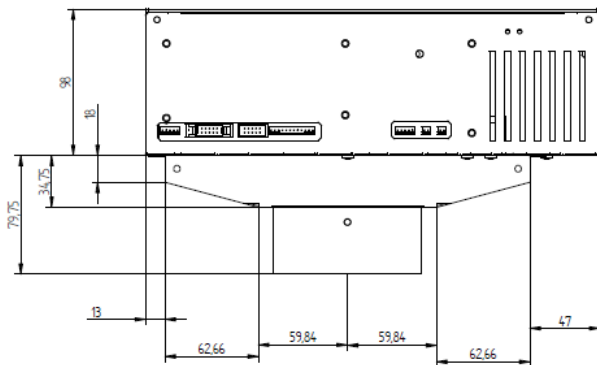
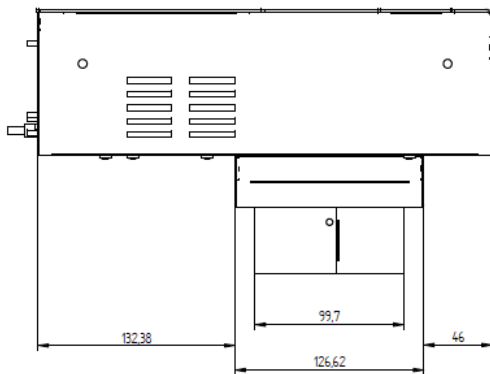
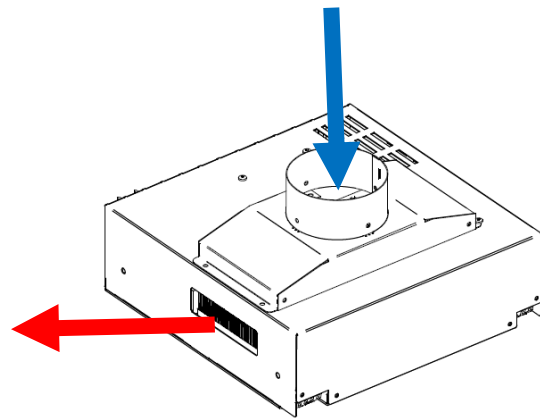
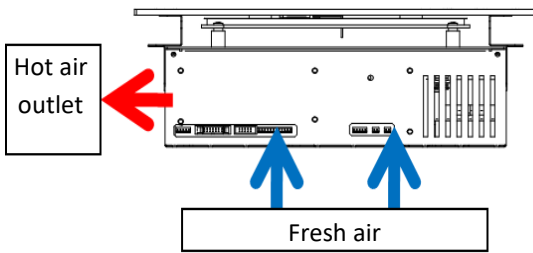
DISPLAY      KNOB      LED



EXTERN VENTILATOR 230 VAC      THREE PHASE CONNECTION



3 PHASES  
(WHITOUT NEUTRAL)      EARTH PLUG



**ADVENTYS**  
 Route de Pagny - 21250 Seurre - France  
[www.adventys.com](http://www.adventys.com)  
[sales@adventys.com](mailto:sales@adventys.com)  
 T: +33 3 80 20 46 15

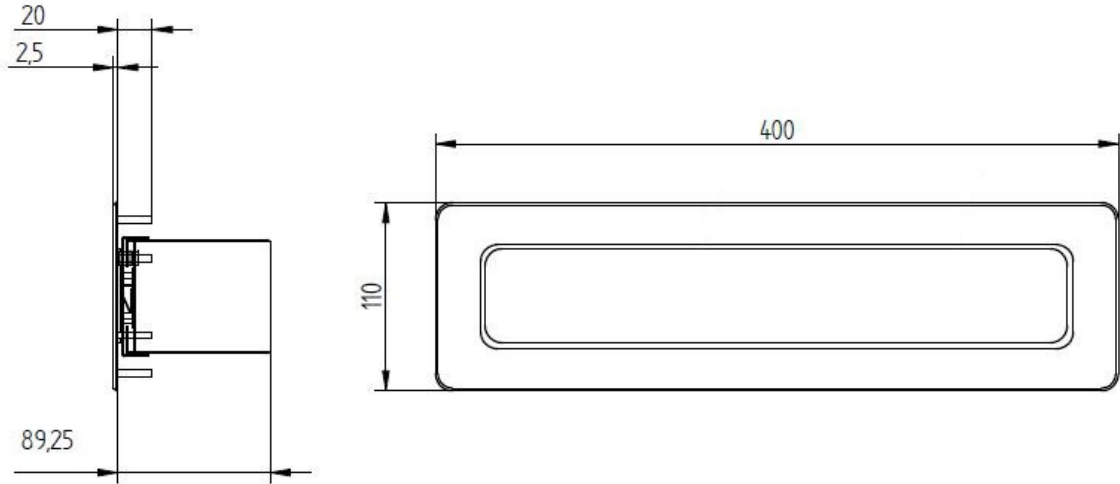
Important note

Adventys reserves the right to change specifications without notice.



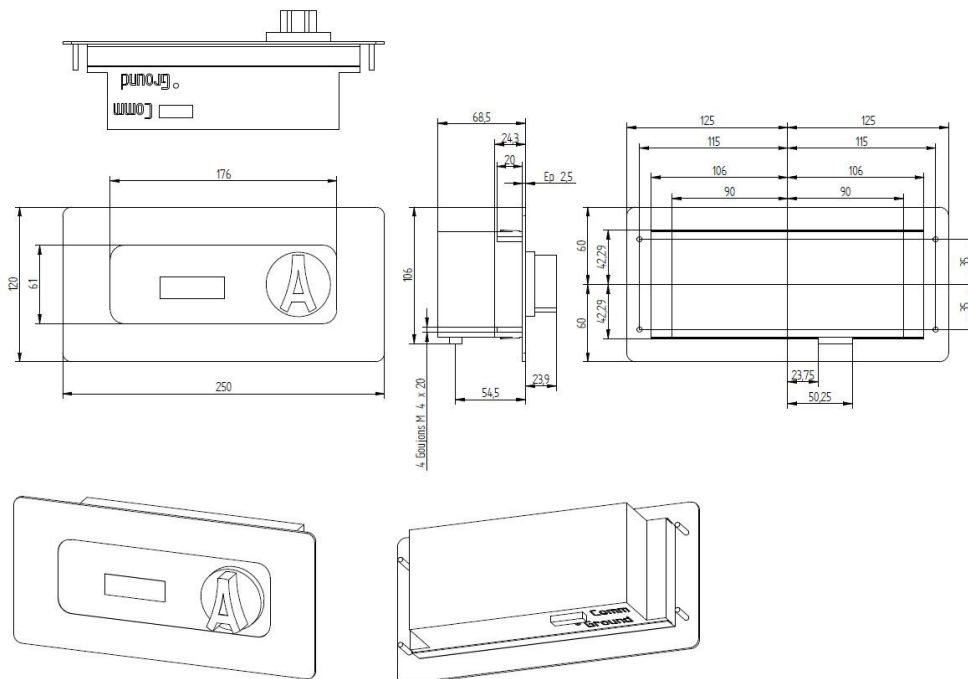
## Capacitive touches control panel

**Control panel cut out 400 x 72 mm + 4 holes**



## Knob control panel

**Control panel cut out 215 x 88 mm + 4 holes**



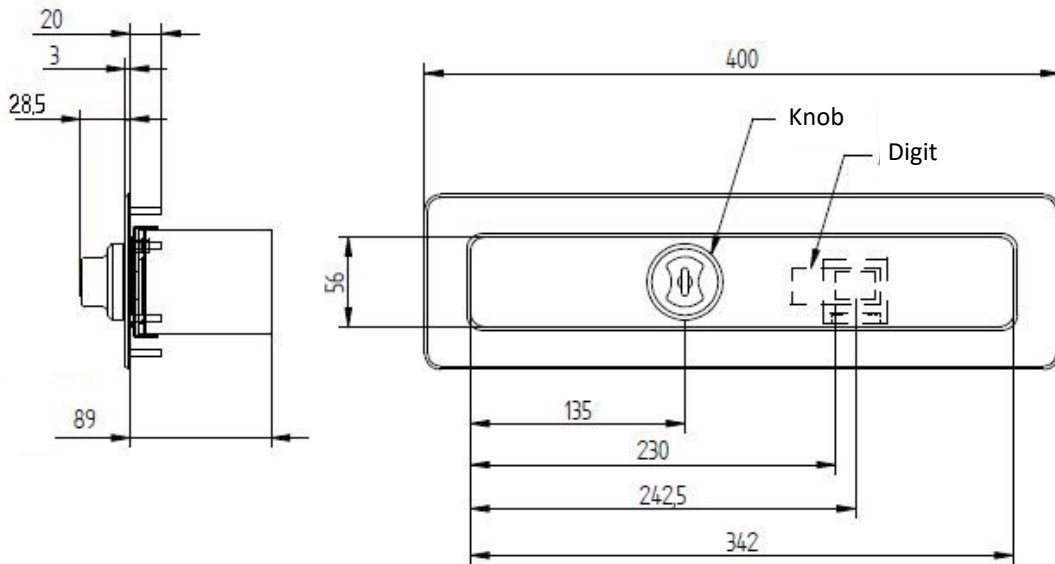
**ADVENTYS**  
 Route de Pagny - 21250 Seurre - France  
[www.adventys.com](http://www.adventys.com)  
[sales@adventys.com](mailto:sales@adventys.com)  
 T: +33 3 80 20 46 15

Important note

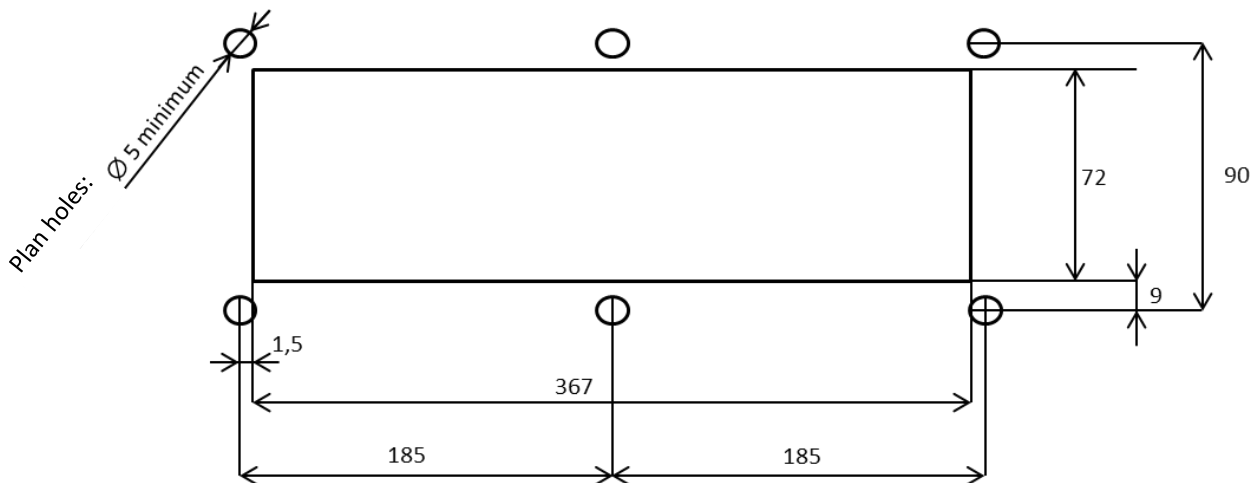
Adventys reserves the right to change specifications without notice.

## Knob controls

**Control panel cut out 400 x 72 mm + 4 holes**



## Controls embedding plan



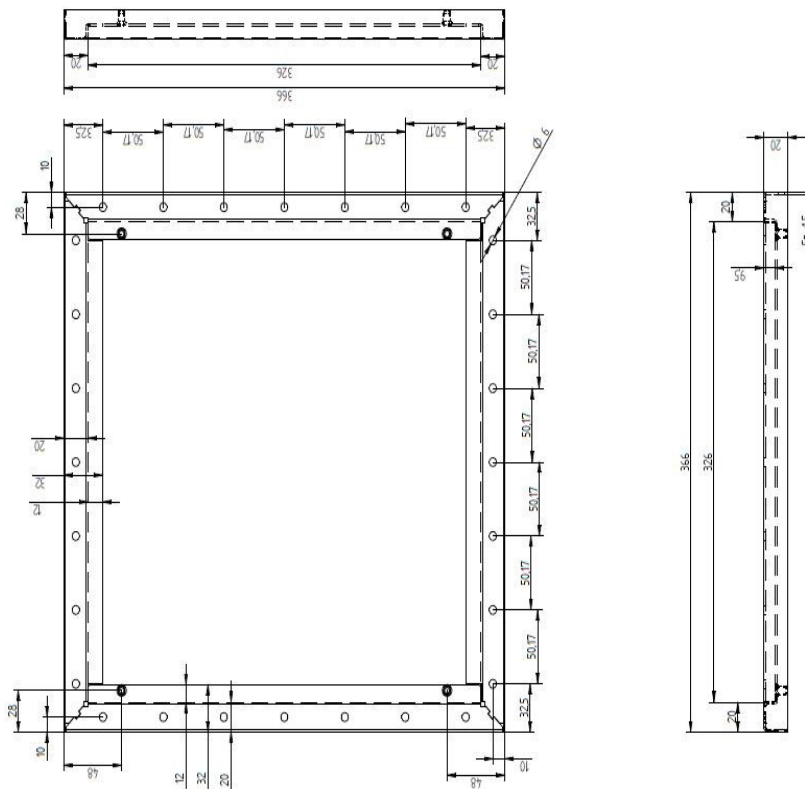
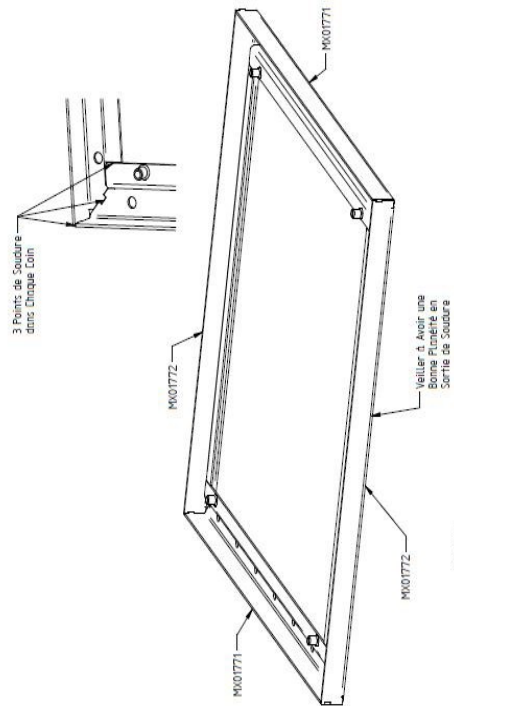
**ADVENTYS**  
 Route de Pagny - 21250 Seurre - France  
[www.adventys.com](http://www.adventys.com)  
[sales@adventys.com](mailto:sales@adventys.com)  
 T: +33 3 80 20 46 15

Important note

Adventys reserves the right to change specifications without notice.



## Inox frame for product integration

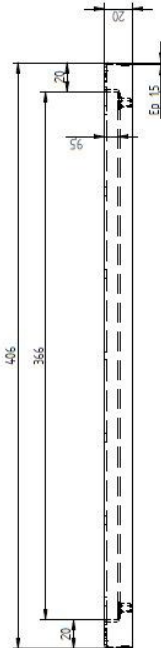
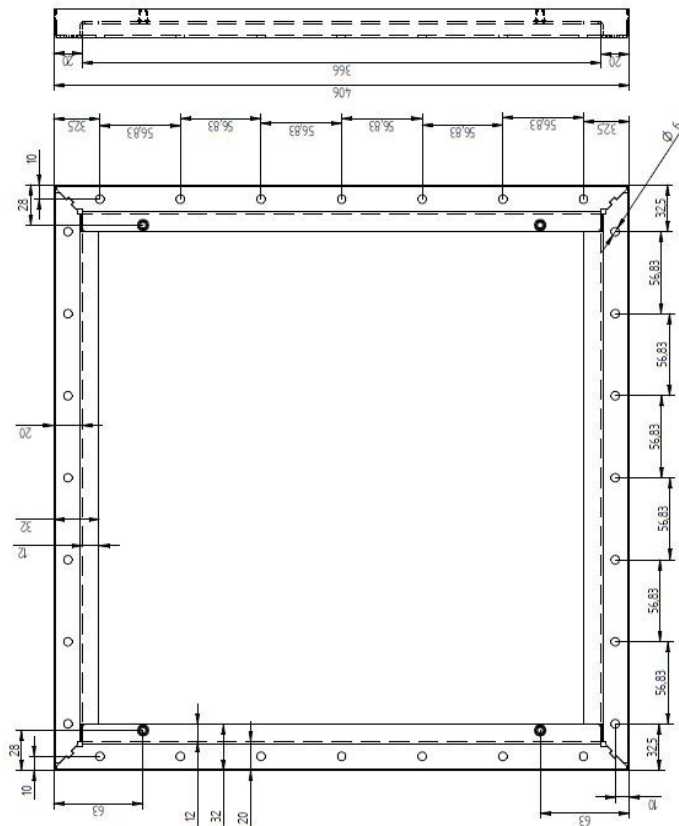
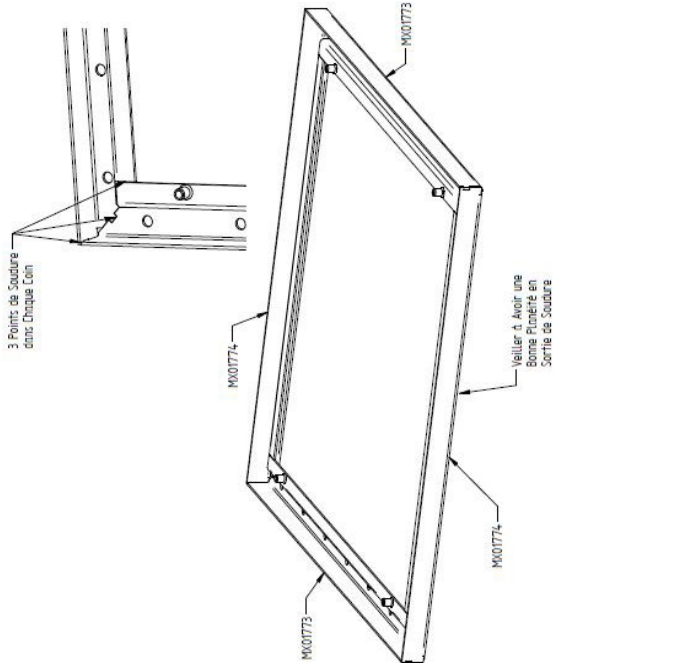


**ADVENTYS**  
 Route de Pagny - 21250 Seurre - France  
[www.adventys.com](http://www.adventys.com)  
[sales@adventys.com](mailto:sales@adventys.com)  
 T: +33 3 80 20 46 15

Important note

Adventys reserves the right to change specifications without notice.

## Inox frame for product integration (360x360)



**ADVENTYS**  
 Route de Pagny - 21250 Seurre - France  
[www.adventys.com](http://www.adventys.com)  
[sales@adventys.com](mailto:sales@adventys.com)  
 T: +33 3 80 20 46 15

Important note

Adventys reserves the right to change specifications without notice.

